

125 KVA GENERATOR

Towable generators are engineered to handle the most rugged requirements for temporary jobsite power, with technology that responds immediately under variable loads.

Plus, the sound reduction makes them quiet enough to provide power for that all-important special event. Mobile, dependable and easy to operate, towable generators from Portable Air are the right choice for all of your light-duty and medium-duty temporary power needs.



Call us today! (800)341-4297



GENERAL

◆ Make/Model	Multiquip DCA-125SSJU
◆ Engine Make/Model	John Deere 6068TF250
◆ Prime Output	125 KVA (100 KW)
◆ Coolant Capacity	10.3 Gallons
◆ Oil Capacity	4.5 Gallons
◆ Oil Filter #	7243
◆ Cylinders	6
◆ Total Dry Weight	6,628 Pounds
◆ Total Weight with Fuel	8,408 Pounds

FUEL SYSTEM

◆ Fuel Consumption at Full Load	7.3 GPH
◆ Fuel Capacity with Trailer	249 Gallons
◆ Fuel Filter #	3531, 3270

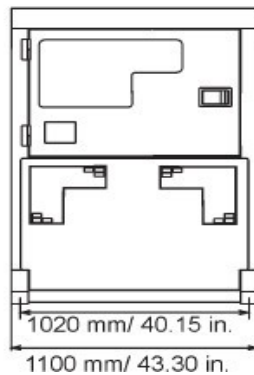
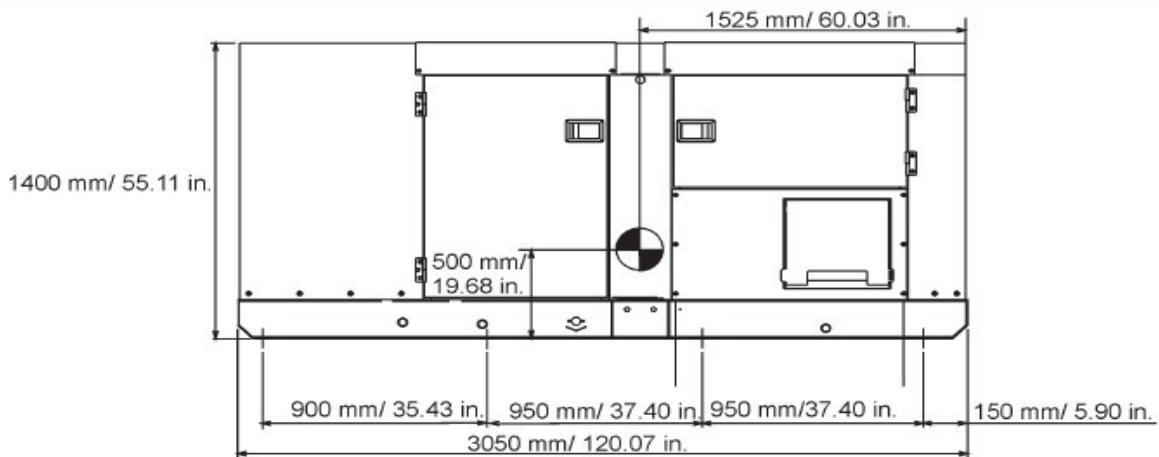
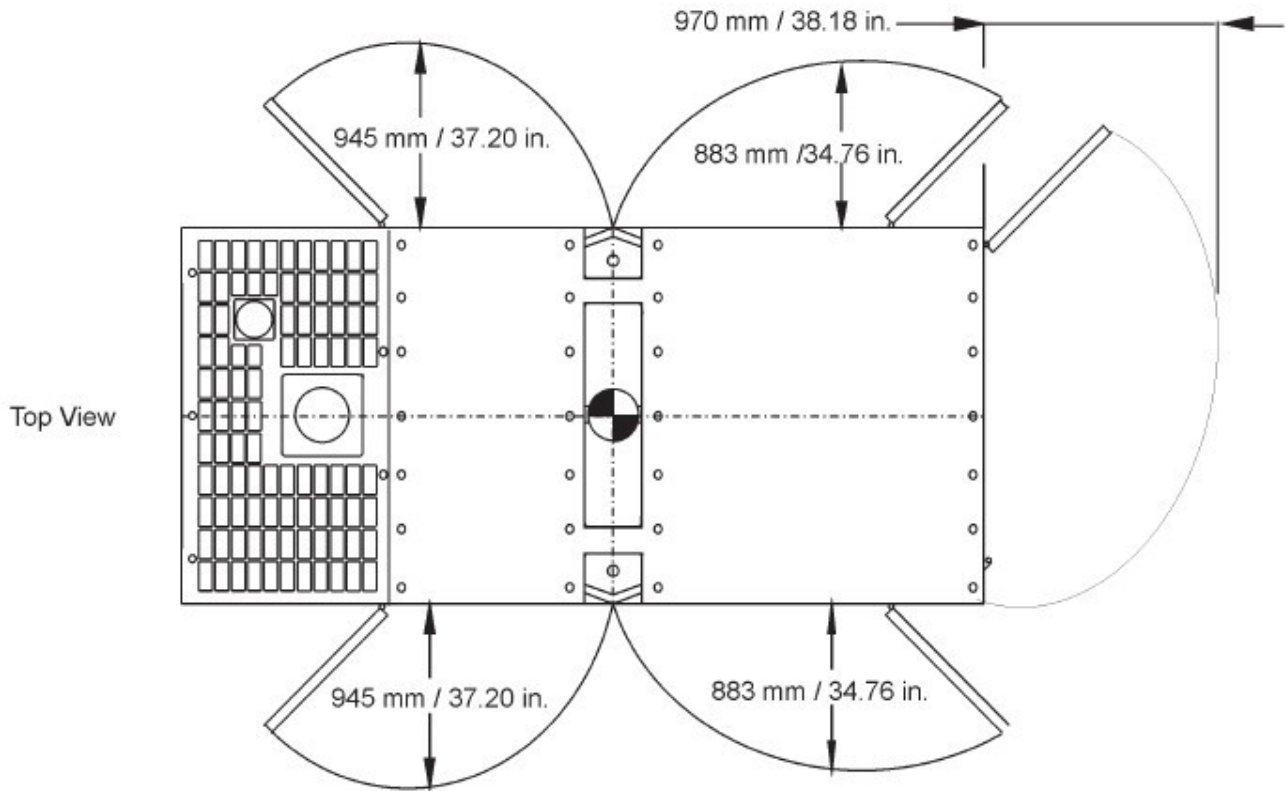
VOLTAGE

◆ 3 Phase-208, 220, 240, 416, 440, 480V switchable
◆ Single Phase-120, 127, 139, 240, 254, 277V switchable

TRAILER SPECIFICATIONS

◆ Model	TRLR-125XF
◆ Fuel Cell	180 Gallons
◆ Brake System	Electric
◆ GVWR	9,000 Pounds
◆ Frame Length/Width	181"/72.5"
◆ Hitch Type	3" Pintle Eye

125 KVA GENERATOR



Center of Gravity

125 KVA GENERATOR

