

30 TON PACKAGE UNIT

Portable Air is proud to offer horizontal package units to meet any temporary climate control project needs. Our entire fleet is comprised of only the most reliable, well performing units from top manufacturers such as Trane, Carrier and York.

All units can be rented as individual units or as a complete “turn-key” package including complete delivery, installation, startup and required accessories. Contact one of our rental representatives today to learn more about Portable Air and the largest HVAC rental fleet of its kind.



30 TON PACKAGE FEATURES

- ◆ R-22 refrigerant
- ◆ Factory installed and commissioned ReliaTel™ controls
- ◆ Phase Monitor
- ◆ Trane 3-D™ Scroll compressors
- ◆ Two-inch standard efficiency filters
- ◆ Sloped condensate drain pan

Call us today! (800)341-4297



GENERAL

◆ Trane® Package Unit Model	TCD360A4
◆ CFM (Cubic Feet Per Minute)	12,000
◆ Air Supply	(3) 20" Plenums
◆ Air Return	(3) 20" Plenums
◆ Skid Mounted	
◆ Optional Trailer Mounted	

DIMENSIONS

◆ Length	212"
◆ Width	104"
◆ Height	90"
◆ Shipping Weight	4,210 LBS

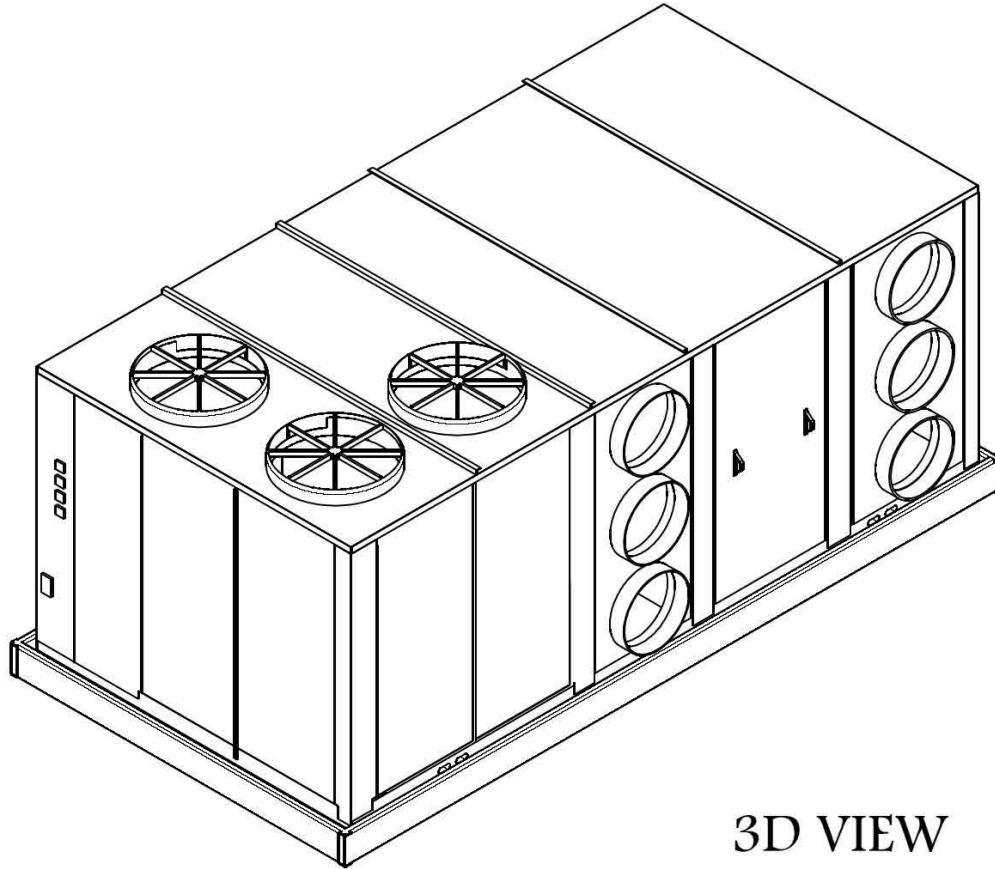
ELECTRICAL DATA

◆ Power Supply	460V/3Ph/60Hz
◆ Connections	Series 16 Cam Type
◆ Minimum Circuit Ampacity	85 Amps
◆ Min/Max Operating Volts	414V—506V

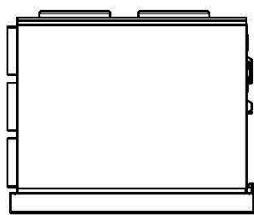
ADDITIONAL INFORMATION

- ◆ Cool Only Unit

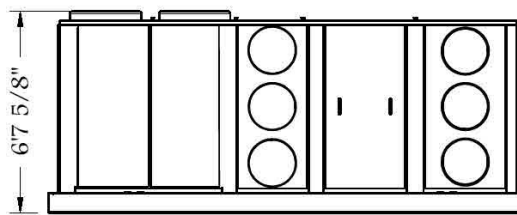
30 TON PACKAGE UNIT



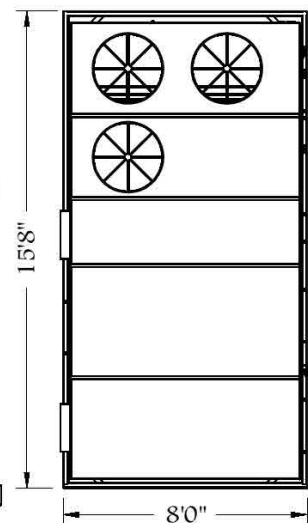
3D VIEW



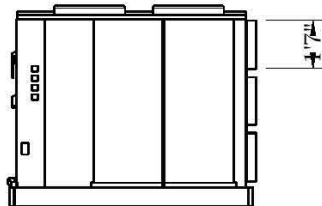
REAR VIEW



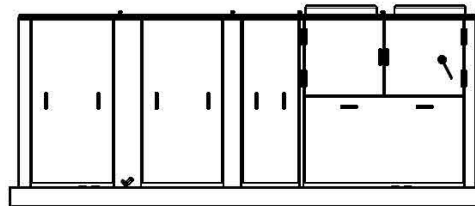
LEFT VIEW



TOP VIEW



FRONT VIEW



RIGHT VIEW